

**Bushnell®**





<b>English.....</b>	<b>4</b>
<b>Français.....</b>	<b>22</b>
<b>Español .....</b>	<b>40</b>
<b>Deutsch .....</b>	<b>58</b>
<b>Italiano.....</b>	<b>76</b>

## GENERAL INSTRUCTIONS

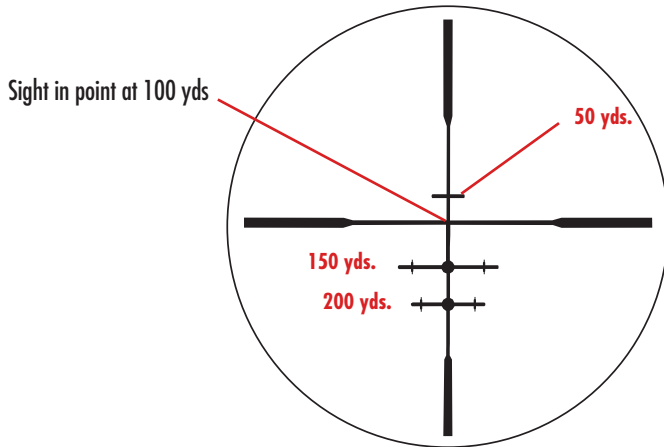
The DOA reticle gives hunters a series of aiming points at multiple yardages that correspond to various shotgun slug, black powder and centerfire loads. These aiming points, combined with our innovative Rack Bracket, allow hunters to expand their effective range while also aiding in field judging whitetail or mule deer at extended distances. **Bushnell would like to stress that these tools are only as good as the time spent practicing with them.** Nothing can replace quality firing range time and becoming comfortable shooting at each of the prescribed yardages, while noting bullet placement. It is imperative for the hunter to spend time at the range, gaining familiarity with the reticle and how it works with their firearm and bullet load. Ballistic performance can vary depending upon a number of factors, including barrel length, powder type, bullet type, and numerous weather/atmosphere related variables.

### THE DOA 200 RETICLE – For Slug Guns

Scopes with the DOA 200 are designed to be sighted-in at 100 yds. Incorporated into the reticle is a 50-yd holdunder, along with 150 yds and 200 yds holdover aiming points. The shooter can use either 12 gauge or 20 gauge loads.

The scope must also be set to the proper magnification for the reticle's ballistic feature to function properly. In the case of a 3-9x 40mm scope, the power change ring must be set at 9x for the ballistic function and Rack Bracket to work correctly.

## DOA 200 For Slug Guns



## How To Use the Reticle:

1. Sight in at 100 yds on any magnification setting
2. Determine distance to target. For the best accuracy in determining distance, utilize a Bushnell Laser Rangefinder (Scout DX 1000 ARC, G-Force DX).
3. Set the scope's magnification to 9x (9 power).
4. Place the appropriate aiming point on the desired target. If the target was determined to be at 175 yds, hold directly between the 150 yd aiming point and the 200 yd aiming point.

The DOA 200 reticle will work with any of the following ammunition loads:

Hornady 300 gr SST 12 Ga. 2 3/4 " Slug

Win Supreme Elite SXP123 300 gr

Win Supreme Elite SXP12 300 gr

Win Supreme Elite SSDB123 375 gr

Win Supreme Elite SSDB12 375 gr

Win Supreme Elite SSDB203 260 gr

Win Supreme Elite SSDB20 240 gr

Win Supreme SSP123 385 gr

Win Supreme SSP12 385 gr

Win Supreme SSPTH12 400 gr

Win Supreme WL12PTHP 400 gr

Win Supreme SSP203 260 gr

Win Supreme SSP20 260 gr

Win Supreme SSPTH20 260 gr

Rem Premier AccuTip 2 3/4 in 385 gr

Rem Premier Accutip 3 in 385 gr

Rem Premier Accutip 20 Ga 2 3/4 in 260 gr

Rem Premier Accutip 20 ga 3 in 260 gr

Rem Copper Solid 2 3/4 in 437 gr

Rem Copper Solid 3 in 437 gr

Rem Copper Slug 20 Ga 2 3/4 in 289 gr

Rem Core Lokt Ultra 2 3/4 in 385 gr

Rem Core Lokt Ultra 20 Ga 2 3/4 in 260 gr

This is only a partial list of the ammunition that the reticle is ballistically matched to.

For a complete list of all ammunition compatible with the DOA 200 reticle technology, please visit:

<http://www.bushnell.com/global/customer-service/product-manuals>

## THE DOA 250 RETICLE – For Muzzleloaders

Designed to be used with today's most popular muzzleloader loads, the DOA 250 reticle is intended to be zeroed at 100 yards, and provides aiming points at every 50 yards out to 250 yds. The user can zero at 100 yds on any magnification setting, but for the ballistic reticle feature and Rack Bracket to function properly, the scope's magnification must be set to the correct power. The correct settings for the scopes that include the DOA 250 reticle are as follows:

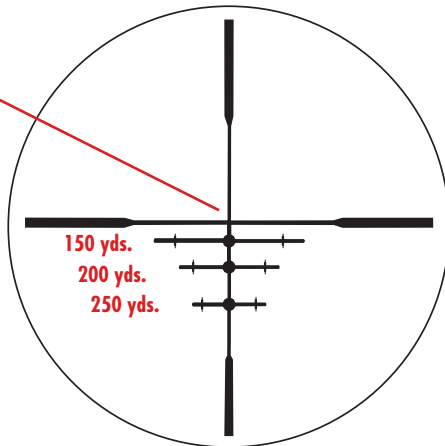
If your scope is a:	Use this power setting:
3-9x 40	9x

The shooter can use either .45 or .50 cal ammunition, and either 100 grains or 150 grains of Triple 7 pellets. The ballistic chart provided below is an abbreviated version of the more complete one available online at: <http://www.bushnell.com/>



## DOA 250 In-Line Muzzleloaders

Based on a 100-yard zero  
and the ballistics of the most  
common magnum loads for  
in-lines.



## **How To Use the Reticle:**

1. Sight in at 100 yds on any magnification setting
2. Determine distance to target. For the best accuracy in determining distance, utilize a Bushnell Laser Rangefinder (Scout DX 1000 ARC, G-Force DX).
3. Set the scope's magnification to 9x (9 power).
4. Place the appropriate aiming point on the desired target. If the target was determined to be at 175 yds, hold directly between the 150 yd aiming point and the 200 yd aiming point.

This chart provides actual reticle holdover points, utilizing both 100 and 150 yard sight in distances (*be sure the scope is set to high power for best results*).

	100 yd Sight-In		150 yd Sight-In					
	150 yd Mark	200 yd Mark	250 yd Mark	300 yd Mark	150 yd Mark	200 yd Mark	250 yd Mark	300 yd Mark
.45 cal 225 gr HP Copper Clad BC=.176 100 grains	150	200	250	300	180	225	275	300
.45 cal 225 gr HP Copper Clad BC=.176 150 grains	150	200	250	300	180	225	275	300
.50 cal 245 gr HP Copper Clad BC=.140 150 grains	150	200	250	300	180	225	275	300
.50 cal 295 gr HP Copper Clad BC=.168 150 grains	150	200	250	300	180	225	275	300
.50 cal 348 gr HP Copper Clad BC=.198 150 grains	150	200	250	300	180	225	275	300
.45 cal 225 gr Copper Clad AeroTip BC=.211 150 grains	150	200	250	300	180	225	275	300
.45 cal 275 gr Copper Clad AeroTip BC=.258 150 grains	150	200	250	300	180	225	275	300
.45 cal 300 Platinum AeroTip BC=.278 100 grains	150	200	250	300	180	225	275	300
.50 cal 223 gr Copper Clad AeroTip BC=.142 150 grains	150	200	250	300	180	225	275	300
.50 cal 245 gr Copper Clad AeroTip BC=.161 150 grains	150	200	250	300	180	225	275	300
.50 cal 270 Platinum AeroTip BC=.192 150 grains	150	200	250	300	180	225	275	300
.50 cal 295 gr Copper Clad AeroTip BC=.186 100 grains	150	200	250	300	180	225	275	300
.50 cal 295 gr Copper Clad AeroTip BC=.186 150 grains	150	200	250	300	180	225	275	300
.50 cal 300 gr Platinum AeroTip BC=.214 150 grains	150	200	250	300	180	225	275	300

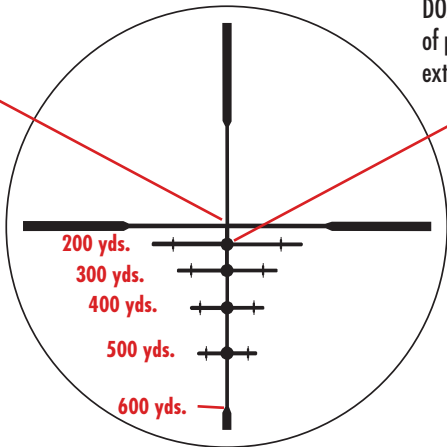
## **THE DOA 600 RETICLE – For Centerfire Rifles**

Designed to be used with today's most popular centerfire rifle cartridges, the DOA 600 reticle is intended to be sighted in at 100 yards, and provides aiming points at every 100 yd increment, out to 600 yds. The user can sight-in at 100 yds on any magnification setting, but for the ballistic reticle feature to function properly, the scope's magnification must be set to the correct power. The correct settings for the scopes that include the DOA reticle are as follows:

<b>If your scope is a:</b>	<b>Use this power setting:</b>
3-9x 40	9x
4-12x 40	12x
2.5-16x 42	16x
4.5-30x 50	20x

## DOA 600 Centerfire Rifles

Based on a 100-yard zero and the ballistics of the most common magnum loads for in-lines.



With MOA dots as the long-range aiming points, the DOA offers a higher level of precision than competing extended-yardage reticles.

## How To Use the Reticle:

1. Zero at 100 yds on any magnification setting
2. Determine distance to target. For the best accuracy in determining distance, utilize a Bushnell Laser Rangefinder (Scout DX 1000 ARC, G-Force DX).
3. Set the magnification to the appropriate setting.
4. Place appropriate aiming point on the desired target. If the target is determined to be at 350 yds, hold directly between the 300 yd aiming point and the 400 yd aiming point.

### The DOA 600 reticle will work with any of the following ammunition loads:

- |                       |                              |
|-----------------------|------------------------------|
| .223 Win 55 gr        |                              |
| .243 Win, 95 gr.      |                              |
| .25-06 Rem 115 gr     | .7mm WSM, 150 gr.            |
| .270 Win, 130 gr.     | .30-06 Sprg, 150 gr.         |
| .270 WSM, 150 gr.     | .300 Winchester Mag, 180 gr. |
| .7mm Rem Mag, 150 gr. | .300 WSM, 180 gr.            |
|                       | .338 Win, 200 gr.            |

If your caliber and load is not listed, the DOA 600 can still be a valuable tool in the field. After zeroing your rifle at 100 yds, shoot at various ranges to determine what the individual holdover points represent with your gun and load.

## **THE DOA CROSSBOW RETICLE – For all Crossbows**

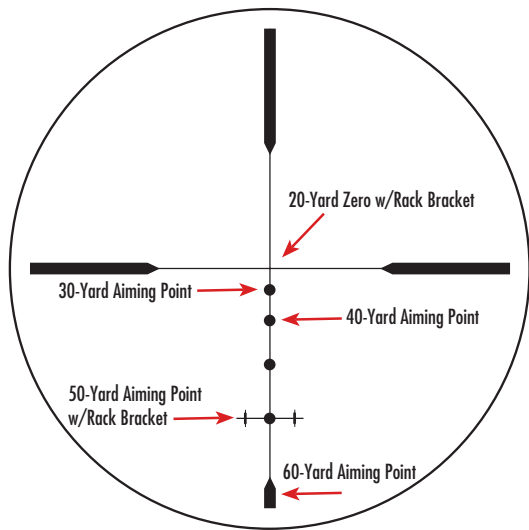
The new Crossbow DOA from Bushnell was designed for the dedicated crossbow hunter, and built to demanding standards with input from the nation's leading experts in crossbow technology.

The Crossbow DOA is based on a 20-yard zero with aiming points every 10 yards, out to 50 yards (see below). The top of the bottom post provides a 60-yard aiming point. The reticle is ballistically calibrated to be used at the 1.75X setting on the scope's power ring. This gives the user a solid stopping point to make sure they select the right power to properly use the reticle, along with a wide FOV to view the target and make sure it is ethically a clean, safe shot.

The ballistic data was derived from repeated testing of a crossbow that shoots 300 fps with a 315 grain arrow and 100 grain broadhead. While the reticle will work with any speed, arrow weight or broadhead weight, Bushnell must stress the importance of practicing with your own set-up and making adjustments as you deem necessary, based upon the specific circumstances of your shooting conditions.

The aiming points were based on 300 fps/315gr/100gr, but practice at each prescribed aiming point with your particular set-up will determine what the aiming points correspond to for your individual shooting platform.

Bushnell has also incorporated its Rack Bracket Technology into this new reticle design so that the crossbow hunter may better field judge the whitetail or mule deer they are chasing. On the main cross hair, there are two small hash marks-the distance between them represents 17 inches at 20 yards. The distance between the thick subtensions on the main crosshair represent 24 inches at 20 yards. At the 50-yard aiming point we have again included our Rack Bracket, with hash marks representing 17 inches, and the overall length representing 24 inches.





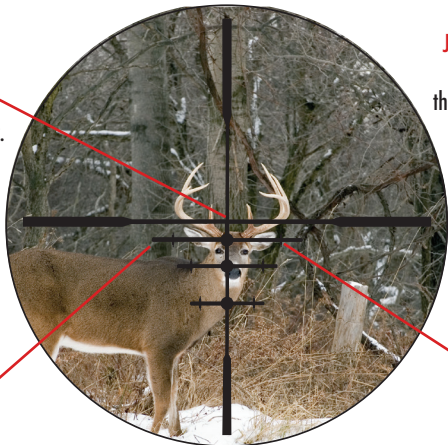
## HOW THE RACK BRACKET WORKS

In an effort to help hunters, Bushnell looked at issues that had confronted many of them in the field. Field judging deer, especially via magnified view, can be exceedingly difficult. To help with the field judging of whitetails and mule deer we have incorporated a series of lines that extend out from each aiming point. Each line measures 24 inches at the respective distance. There will also be two "hash marks" on each line that measure 17 inches between them. Why did we choose 24" and 17"? After extensive research it was determined that 24 inches represents the average width of a mule deer's ears and 17 inches was the average width of a whitetail's ears. Given proper time to judge an animal, a hunter can now get an estimate of rack width, and possibly even tine length. Rack Bracket estimations are for reference only and may not be exact. Make note that it is the sole responsibility of the hunter to make the final determination on any animal they decide to harvest. **Please refer to your local and/or state regulations regarding antler width standards for harvested animals. It is the hunters responsibility to be knowledgeable of and abide by all game regulations.**

## The Rack Bracket System

Size him up and put him down with the Rack Bracket.

Based on scope set at highest power. For example, a 3-9x scope would need to be at 9x for Rack Bracket accuracy.



**Judgement** – Use the 24" and 17" measurements to gauge the buck's width. If the ears fit, you have an accurate estimation of range.

**24"** – All extended yardage crosshairs measure 24," the tip-to-tip distance between an average mule deer's ears.

## **How To Use the Reticle:**

1. Determine the distance to a whitetail or mule deer. For the most accurate distance measurement, use a Bushnell Laser Rangefinder (for best results, a model with angle range compensation (ARC) is recommended – for example, the Scout DX 1000 ARC, G-Force DX, etc).
2. Turn the scope's power ring to the appropriate position.
3. If the distance matches one of the prescribed aiming points you can utilize the Rack Bracket to gauge antler width.

## LIFETIME LIMITED WARRANTY

Your Bushnell® product is warranted to be free of defects in materials and workmanship for lifetime after the date of purchase. In the event of a defect under this warranty, we will, at our option, repair or replace the product, provided that you return the product postage prepaid. This warranty does not cover damages caused by misuse, improper handling, installation, or maintenance provided by someone other than a Bushnell Authorized Service Department.

Any return made under this warranty must be accompanied by the items listed below:

- 1) A check/money order in the amount of \$10.00 to cover the cost of postage and handling
- 2) Name and address for product return
- 3) An explanation of the defect
- 4) Proof of Date Purchased
- 5) Product should be well packed in a sturdy outside shipping carton, to prevent damage in transit, with return postage prepaid to the address listed below:

### **IN U.S.A. Send To:**

Bushnell Outdoor Products  
Attn.: Repairs  
9200 Cody  
Overland Park, Kansas 66214

### **IN CANADA Send To:**

Bushnell Outdoor Products  
Attn.: Repairs  
140 Great Gulf Drive, Unit B  
Vaughan, Ontario L4K 5W1

For products purchased outside the United States or Canada please contact your local dealer for applicable warranty information. In Europe you may also contact Bushnell at:

Bushnell Germany GmbH  
European Service Centre  
Mathias-Brüggen-Str. 80  
D-50827 Köln  
GERMANY  
Tel: +49 221 995568-0  
Fax: +49 221 995568-20

This warranty gives you specific legal rights.  
You may have other rights which vary from country to country.

©2014 Bushnell Outdoor Products



## INSTRUCTIONS GENERALES

Le réticule DOA donne aux chasseurs des séries de points de visée qui correspondent à diverses charges de poudre et percussions centrales. Le réticule DOA donne aux chasseurs des séries de points de visée qui correspondent à diverses charges de poudre et percussions centrales. **Bushnell souhaite souligner que l'efficacité de ces outils dépend du temps que vous aurez consacré à vous entraîner à leur utilisation.** Rien ne vaut un entraînement de qualité au champ de tir et l'amélioration progressive du tir à chaque distance prescrite, en notant la localisation des impacts. Il est impératif que le chasseur passe du temps au champ de tir, à se familiariser avec le réticule et le fonctionnement de celui-ci avec son arme chargée. La performance balistique peut varier en fonction de nombreux facteurs, notamment la longueur du canon, le type de poudre, le type de balle et nombres de variables liées au temps/à l'atmosphère.

### LE RÉTICULE DOA 200 : pour les pièces à canon lisse (Slug Guns)

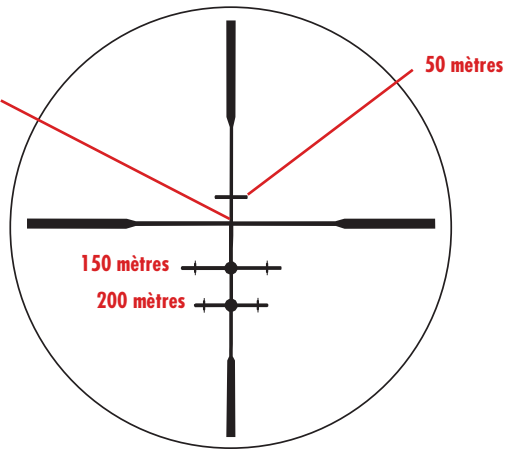
Les lunettes comportant le réticule DOA 200 sont conçues pour viser à 100 yards / mètres. Le réticule comporte un repère de visée supérieur pour les tirs à 50 yards / mètres et deux repères de visée inférieurs pour les tirs à 150 et à 200 yards / mètres. Le tireur peut utiliser des munitions de calibre 12 ou 20.

La lunette de visée doit aussi être réglée sur le grossissement approprié pour que la fonction balistique du réticule fonctionne correctement. Dans le cas d'une lunette de visée 3-9x 40 mm, la molette de changement de puissance doit être réglée sur 9x pour que la fonction balistique et le Rack Bracket fonctionnent correctement.

# DOA 200

## Pour les pièces à canon lisse (Slug Guns)

Basé sur un réglage initial  
à 100 mètres.



## **Comment utiliser le réticule :**

1. Viser à 100 mètres sur n'importe quel réglage de grossissement
2. Déterminer la distance jusqu'à la cible. Pour une meilleure précision lors de la détermination de la distance, utiliser un Télémètre Laser Bushnell (Scout DX 1000 ARC, G-Force DX).
3. Régler le grossissement de la lunette de visée sur 9x (puissance 9).
4. Placer le point de visée approprié sur la cible désirée. Si on a déterminé que la cible était à 175 mètres, maintenir directement entre le point de visée 150 mètres et le point de visée 200 mètres.



Le réticule DOA 200 fonctionne avec n'importe laquelle de ces munitions:

Hornady 300 gr SST 12 Ga. 2 3/4 " Slug

Win Supreme Elite SXP123 300 gr

Win Supreme Elite SXP12 300 gr

Win Supreme Elite SSDB123 375 gr

Win Supreme Elite SSDB12 375 gr

Win Supreme Elite SSDB203 260 gr

Win Supreme Elite SSDB20 240 gr

Win Supreme SSP123 385 gr

Win Supreme SSP12 385 gr

Win Supreme SSPTH12 400 gr

Win Supreme WL12PTHP 400 gr

Win Supreme SSP203 260 gr

Win Supreme SSP20 260 gr

Win Supreme SSPTH20 260 gr

Rem Premier AccuTip 2 3/4 in 385 gr

Rem Premier Accutip 3 in 385 gr

Rem Premier Accutip 20 Ga 2 3/4 in 260 gr

Rem Premier Accutip 20 ga 3 in 260 gr

Rem Copper Solid 2 3/4 in 437 gr

Rem Copper Solid 3 in 437 gr

Rem Copper Slug 20 Ga 2 3/4 in 289 gr

Rem Core Lokt Ultra 2 3/4 in 385 gr

Rem Core Lokt Ultra 20 Ga 2 3/4 in 260 gr

Cette liste des munitions balistiquement compatibles avec le réticule n'est pas exhaustive. Pour une liste complète de toutes les munitions compatibles avec la technologie du réticule DOA 200, veuillez consulter:

<http://www.bushnell.com/global/customer-service/product-manuals>

## LE RÉTICULE DOA 250 - Pour les armes à chargement par la bouche

Conçu pour une utilisation avec les chargements d'armes à chargement par la bouche, le réticule DOA 250 est prévu pour un réglage initial à 100 mètres et offre des points de mire tous les 50 mètres jusqu'à 250 mètres. L'utilisateur peut viser à 100 mètres sur n'importe quel réglage de grossissement, mais pour que le dispositif du réticule balistique et le Rack Bracket fonctionnent correctement, le grossissement de la lunette de visée doit être réglé à la puissance correcte. Les réglages corrects pour les lunettes de visée qui incluent le réticule DOA 250 sont comme suit :

**Si votre lunette de visée est un : Utiliser ce réglage de puissance :**

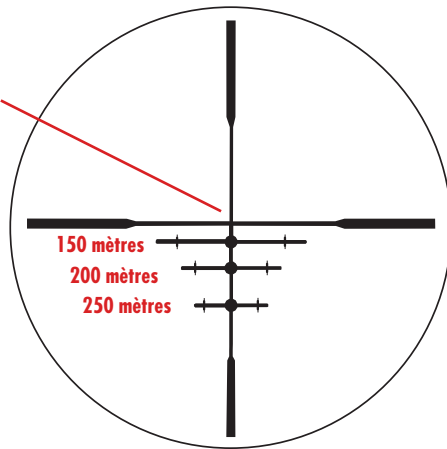
3-9x 40	9x
---------	----

Le tireur peut utiliser des cartouches de calibre .45 ou .50, et soit 100 soit 150 grains de plombs Triple 7. Le diagramme fourni ci-dessous est une version abrégée de celui plus complet disponible sur: <http://www.bushnell.com/>

## DOA 250

### Pièces se chargeant par la bouche en ligne

Basées sur une origine à 100 mètres et la balistique des charges magnum les plus courantes pour des "en ligne".



## **Comment utiliser le Réticule:**

1. Viser à 100 mètres sur n'importe quel réglage de grossissement
2. Déterminer la distance jusqu'à la cible. Pour une meilleure précision lors de la détermination de la distance, utiliser un Télémètre Laser Bushnell (Scout DX 1000 ARC, G-Force DX).
3. Régler le grossissement de la lunette de visée sur 9x (puissance 9).
4. Placer le point de visée approprié sur la cible désirée. Si on a déterminé que la cible était à 175 mètres, maintenir directement entre le point de visée 150 mètres et le point de visée 200 mètres.

	Visée 100 mètres		Marque 250 mètres	Marque 300 mètres	Visée 150 mètres		Marque 250 mètres	Marque 300 mètres
	Marque 150 mètres	Marque 200 mètres			Marque 150 mètres	Marque 200 mètres		
.45 cal 225 gr HP Stratifié Cuivré BC=.176 100 grains	150	200	250	300	180	225	275	300
.45 cal 225 gr HP Stratifié Cuivré BC=.176 150 grains	150	200	250	300	180	225	275	300
.50 cal 245 gr HP Stratifié Cuivré BC=.140 150 grains	150	200	250	300	180	225	275	300
.50 cal 295 gr HP Stratifié Cuivré BC=.168 150 grains	150	200	250	300	180	225	275	300
.50 cal 348 gr HP Stratifié Cuivré BC=.198 150 grains	150	200	250	300	180	225	275	300
.45 cal 225 gr AeroTip Stratifié Cuivré BC=.211 150 grains	150	200	250	300	180	225	275	300
.45 cal 275 gr AeroTip Stratifié Cuivré BC=.258 150 grains	150	200	250	300	180	225	275	300
.45 cal 300 AeroTip Platine BC=.278 100 grains	150	200	250	300	180	225	275	300
.50 cal 223 gr AeroTip Stratifié Cuivré BC=.142 150 grains	150	200	250	300	180	225	275	300
.50 cal 245 gr AeroTip Stratifié Cuivré BC=.161 150 grains	150	200	250	300	180	225	275	300
.50 cal 270 AeroTip Platine BC=.192 150 grains	150	200	250	300	180	225	275	300
.50 cal 295 gr AeroTip Stratifié Cuivré BC=.186 100 grains	150	200	250	300	180	225	275	300
.50 cal 295 gr AeroTip Stratifié Cuivré BC=.186 150 grains	150	200	250	300	180	225	275	300
.50 cal 300 gr AeroTip Platine BC=.214 150 grains	150	200	250	300	180	225	275	300

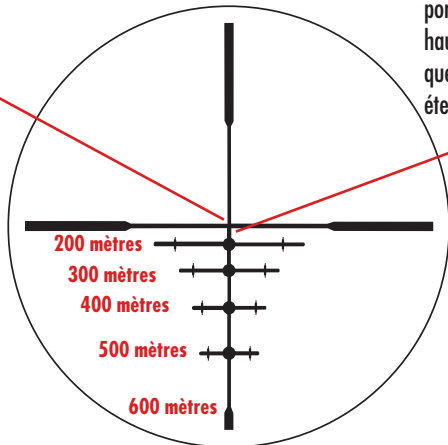
## **LE RETICULE DOA 600 – Pour les pièces à percussion centrale**

Conçu pour être utilisé avec les cartouches des fusils à percussion centrale les plus populaires, le réticule DOA 600 a pour but d'être visé à 100 mètres, et fournit des points de visée tous les 100 mètres jusqu'à 600 mètres. L'utilisateur peut viser à 100 mètres sur n'importe quel réglage de grossissement, mais pour que le dispositif du réticule balistique fonctionne correctement, le grossissement de la lunette de visée doit être réglé à la puissance correcte. Les réglages corrects pour les lunettes de visée qui incluent le réticule DOA sont comme suit:

<b>Si votre lunette de visée est un:</b>	<b>Utiliser ce réglage de puissance:</b>
3-9x 40	9x
4-12x 40	12x
2.5-16x 42	16x
4.5-30x 50	20x

## DOA 600 Carabines à percussion centrale

Basées sur une origine à 100 mètres et la balistique des combinaisons de charge/balle les plus courantes pour la chasse des biches.



Avec les points MOA comme les points de visée longue portée, le DOA offre un plus haut niveau de précision que les réticules à métrage étendu concurrent.

## Comment utiliser le Réticule:

1. Viser à 100 mètres pour n'importe quel grossissement
2. Déterminer la distance jusqu'à la cible. Pour une meilleure précision lors de la détermination de la distance, utiliser un Télémètre Laser Bushnell (Scout DX 1000 ARC, G-Force DX).
3. Positionner le grossissement au réglage approprié.
4. Placer le point de visée approprié sur la cible désirée. Si vous déterminez que votre cible doit être à 350 mètres, maintenir le point de visée entre 300 et 400 mètres.

## Le réticule DOA 600 fonctionnera avec n'importe laquelle de ces munitions:

.223 Win 55 gr	
.243 Win, 95 gr.	.7mm WSM, 150 gr.
.25-06 Rem 115 gr	.30-06 Sprg, 150 gr.
.270 Win, 130 gr.	.300 Winchester Mag, 180 gr.
.270 WSM, 150 gr.	.300 WSM, 180 gr.
.7mm Rem Mag, 150 gr	.338 Win, 200 gr.



## **LE RÉTICULE DOA POUR ARBALÈTE : pour toutes les arbalètes**

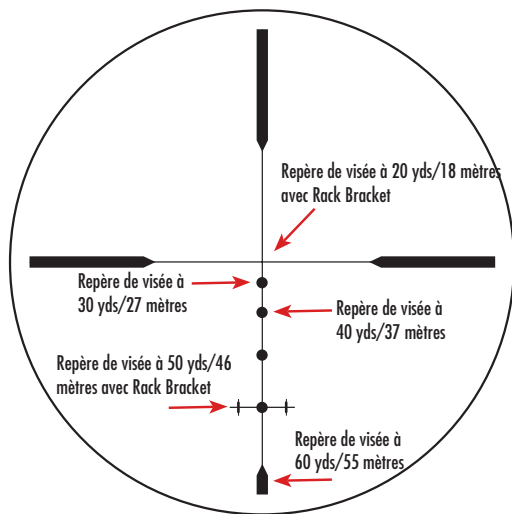
Le nouveau réticule DOA pour arbalète de Bushnell a été spécialement conçu pour les chasseurs à l'arbalète, conformément à des normes strictes et grâce au savoir-faire des spécialistes du pays en matière de technologie de l'arbalète.

Le réticule DOA pour arbalète comporte un zéro pour des tirs à 20 yards/mètres et des repères de visée tous les 10 yards /mètres jusqu'à 50 yards/mètres (voir ci-dessous). Le haut de la barre épaisse inférieure indique un repère de visée à 60 yards/mètres. Le réticule est balistiquement calibré pour une utilisation sur le réglage 1.75X de la molette de puissance de la lunette. Ceci offre au tireur un point d'arrêt stable qui lui permet de choisir la puissance appropriée au bon fonctionnement du réticule, ainsi qu'un large champ de visée pour visualiser la cible et réaliser un tir éthiquement net et sûr.

Nous avons utilisé les données balistiques issues d'essais répétés avec une arbalète tirant à 300 pieds par seconde, une flèche de 315 grains et une pointe de chasse de 100 grains. Bien que ce réticule fonctionne à n'importe quelle vitesse et avec des flèches et des pointes de chasse de n'importe quel poids, Bushnell souhaite insister sur l'importance de vous entraîner avec votre propre matériel et de faire les ajustements que vous jugerez nécessaires, sur la base des conditions particulières de tir.

Les repères de visée ont été calculés sur une base 300 pieds par seconde/315 gr/100 gr. Toutefois, c'est la pratique avec votre matériel personnel pour chaque repère qui déterminera à quoi correspondent les repères de visée pour votre plate-forme de tir personnelle.

Bushnell a également intégré sa technologie Rack Bracket dans son nouveau réticule pour permettre au chasseur à l'arbalète de mieux évaluer sur le terrain la taille d'un cerf de Virginie ou d'un cerf mulet qu'il chasse. Sur la croisée de fils principale, il existe deux petits repères verticaux. La distance qui les sépare représente 43 cm à 20 mètres. La distance entre les extrémités épaisses sur le curseur principal représente 61 cm à 20 mètres. Sur le repère de visée à 50 mètres, nous avons également inclus le Rack Bracket. Les marques verticales représentent 43 cm et la longueur totale de la barre 61 cm.



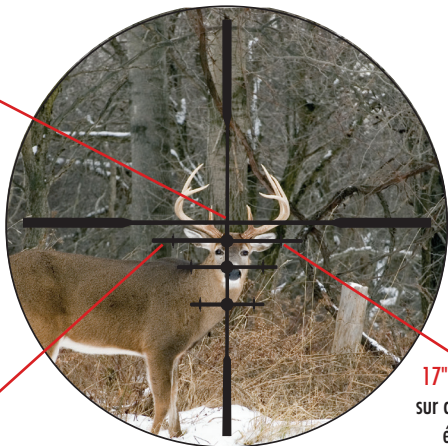
## COMMENT FONCTIONNE LE RACK BRACKET

Dans son travail pour aider les chasseurs, Bushnell regarde les problèmes qui ont été rencontrés, pour la plupart d'entre eux, sur le terrain. Le jugement de terrain pour un cerf, spécialement via un grossissement peut être extrêmement difficile. Pour aider au jugement de terrain des cerfs hémione ou de Virginie nous avons incorporé des séries de lignes qui s'étendent au delà de chaque point de visée. Chaque ligne mesure 24 pouces pour chaque distance respective. Il y aura aussi deux « marques hachées » sur chaque ligne qui mesure 17 pouces entre elles. Pourquoi avons nous choisi 24" et 17"? Après une recherche prolongée il a été déterminé que 24 pouces représente la largeur moyenne des bois du cerf hémione et 17 pouces était la largeur moyenne des oreilles du cerf de Virginie. Avec un temps donné pour juger un animal, un chasseur peut maintenant obtenir une estimation de la largeur du support, et une possible longueur de dent. Les estimations Rack Bracket sont uniquement des références et ne sont peut être pas exacts. Noter qu'il est de la seule responsabilité du chasseur de prendre la décision finale sur quelque animal exploité. **Veillez vous référer aux lois locales et /ou nationales à propos des normes de la largeur des bois pour l'exploitation des animaux. C'est la responsabilité des chasseurs d'être bien informés et de respecter tous les règlements.**

## Le Système Rack Bracket

Augmenter la taille et placer le en bas avec le Rack Bracket.

Basé sur la lunette de visée réglée à la puissance maximale. Par exemple, une lunette de visée 3-9x aura besoin d'être à 9x pour la précision du Rack Bracket.



**24"** – Tous les réticules à métrage étendu mesure 24," la distance moyenne bout à bout entre les bois d'un cerf hémione.

**Judgement** – Utiliser les mesures 24" et 17" pour estimer la largeur du chevreuil. Si les bois rentrent, vous avez une estimation précise de la portée.

**17"** – Les marques verticales sur chaque réticule à métrage étendu indique la distance moyenne entre les bois du cerf de Virginie.

## Comment utiliser le Réticule:

1. Déterminer la distance d'un cerf hémione ou un cerf de Virginie. Pour la mesure de la distance la plus précise, utiliser un Télémètre Laser Bushnell (pour de meilleurs résultats, un modèle de compensation de portée d'angle (ARC) est recommandé- par exemple, le Scout DX 1000 ARC, G-Force DX, etc.).
2. Tourner la molette de puissance de la lunette de visée vers la position appropriée.
3. Si la distance correspond à un des points de visée donnés vous pouvez utiliser le Rack Bracket pour étalonner la largeur des bois.

## GARANTIE À VIE LIMITÉE

Votre produit Bushnell® est garanti exempt de défauts de matériaux et de fabrication pendant la durée de vie de son premier propriétaire. La garantie à vie limitée traduit notre confiance dans les matériaux et l'exécution mécanique de nos produits et représente pour vous l'assurance de toute une vie de service fiable. Au cas où un défaut apparaîtrait sous cette garantie, nous nous réservons l'option de réparer ou de remplacer le produit, à condition de nous le renvoyer en port payé. La présente garantie ne couvre pas les dommages causés par une utilisation, une manipulation, une installation incorrecte(s) ou un entretien incorrect ou fourni par quelqu'un d'autre qu'un centre de réparation agréé par Bushnell.

Tout retour effectué aux États-Unis ou au Canada, dans le cadre de la présente garantie, doit être accompagné des articles indiqués ci-dessous:

- 1) Un chèque ou mandat d'une somme de 10,00 \$ US pour couvrir les frais d'envoi et de manutention
- 2) Le nom et l'adresse pour le retour du produit
- 3) Une description du défaut constaté
- 4) La preuve d'achat
- 5) Le produit doit être emballé soigneusement, dans un carton d'expédition solide, pour éviter qu'il ne soit endommagé durant le transport ; envoyez-le en port payé, à l'adresse indiquée ci-dessous :

**Aux États-Unis, envoyez à:**

Bushnell Outdoor Products  
Attn.: Repairs  
9200 Cody  
Overland Park, Kansas 66214

**Au CANADA, envoyez à:**

Bushnell Outdoor Products  
Attn.: Repairs  
140 Great Gulf Drive, Unit B  
Vaughan, Ontario L4K 5W1

Pour les produits achetés en dehors des États-Unis et du Canada, veuillez contacter votre distributeur local pour tous renseignements concernant la garantie. En Europe, vous pouvez aussi contacter Bushnell au :

Bushnell Germany GmbH  
European Service Centre  
Mathias-Brüggen-Str. 80  
D-50827 Köln  
GERMANY  
Tel: +49 221 995568-0  
Fax: +49 221 995568-20

La présente garantie vous donne des droits légaux spécifiques.  
Vous pouvez avoir d'autres droits qui varient selon les pays.

©2014 Bushnell Outdoor Products



## INSTRUCCIONES GENERALES

La retícula DOA proporciona a los cazadores un conjunto de puntos de puntería que corresponden a distintas cargas de pólvora negra y percusión central. Estos puntos de puntería, combinados con nuestra innovadora horquilla de nuca, permiten a los cazadores ampliar su rango efectivo así como a calibrar los ciervos de cola blanca y ciervos mulos a mayores distancias. **De todos modos, Bushnell quiere recordar que estas herramientas sólo son tan buenas cómo tiempo se pasa practicando con ellas.** Nada puede sustituir el tiempo empleado con disparos de calidad y conseguir sentirse cómodo al disparar a las distintas distancias prescritas, mientras se observa la colocación de la bala. Para un cazador es imprescindible pasar tiempo al aire libre familiarizándose con la retícula y su manera de funcionar con el arma y la carga de la bala. Las prestaciones balísticas pueden variar en función de distintos factores, incluida la longitud de del cañón, el tipo de pólvora, tipo de bala y numerosas variables relacionadas con las condiciones climáticas y atmosféricas.

### RETÍCULA DOA 200: Para armas de bala de plomo

Los objetivos con la DOA 200 se han diseñado para ajustarse a 91 m (100 yardas). En la retícula, hay incorporados un punto de mira de apunte bajo de 46 m (50 yardas), y puntos de mira de apunte alto de 137 m (150 yardas) y 183 m (200 yardas). El tirador puede utilizar cargas de calibre 12 o 20.

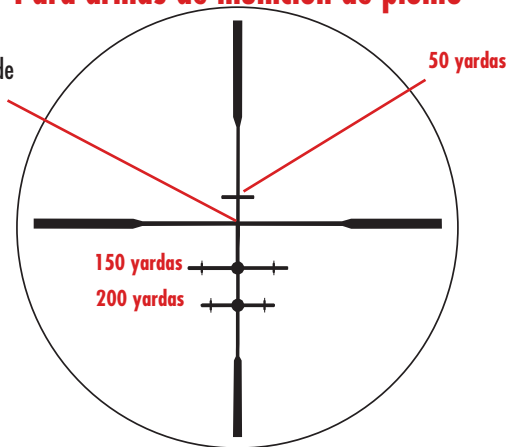


El objetivo también debe ajustarse a la ampliación adecuada para que la función balística de la retícula funcione correctamente. En el caso de un objetivo 3-9x de 40 mm, el anillo de cambio de potencia debe fijarse a 9x para que la función balística y la horquilla de nuca funcionen correctamente.

## DOA 200

### Para armas de munición de plomo

Basado en un enfoque de  
100 yardas



### **Utilización de la retícula:**

1. Ajuste a 91 m (100 yardas) con cualquier valor de ampliación
2. Determine la distancia al objetivo. Para tener la máxima precisión al determinar la distancia, utilicen un telémetro láser de Bushnell (Scout DX 1000 ARC, G-Force DX).
3. Ponga la ampliación del objetivo a 9x (potencia 9).
4. Coloque el punto de mira adecuado en el objetivo deseado. Si se determinó que el objetivo estaba a 160 m (175 yardas), sostenga directamente entre el punto de mira de 137 m (150 yardas) y el de 183 m (200 yardas).

La retícula DOA 200 funcionará con cualquiera de las cargas de munición siguientes:

Hornady de 300 gr SST 12 Cal. 2 3/4" bala de plomo	Win Supreme SSPTH20 260 gr
Win Supreme Elite SXP123 300gr	Rem Premier AccuTip 2 3/4 en 385 gr
Win Supreme Elite SXP12 300 gr	Rem Premier Accutip 3 en 385 gr
Win Supreme Elite SSDB123 375 gr	Rem Premier Accutip 20 Cal. 2 3/4 in 260 gr
Win Supreme Elite SSDB12 375 gr	Rem Premier Accutip 20 cal. 3 en 260 gr
Win Supreme Elite SSDB203 260 gr	Rem Copper Solid 2 3/4 en 437 gr
Win Supreme Elite SSDB20 240 gr	Rem Copper Solid 3 in 437 gr
Win Supreme SSP123 385 gr	Rem Copper Slug 20 Cal. 2 3/4 3n 289 gr
Win Supreme SSP12 385 gr	Rem Core Lokt Ultra 2 3/4 en 385 gr
Win Supreme SSPTH12 400 gr	Rem Core Lokt Ultra 20 Cal. 2 3/4 en 260 gr
Win Supreme WL 12PTHP 400 gr	
Win Supreme SSP203 260 gr	
Win Supreme SSP20 260 gr	

Esta es solo una lista parcial de las municiones para las que se ha ajustado balísticamente la retícula. Para obtener la lista completa de todas las municiones compatibles con la tecnología de retícula DOA 200, visite: <http://www.bushnell.com/global/customer-service/product-manuals>

## **RETÍCULA DOA 250 – Para armas de avancarga**

Diseñado para usarse con las armas de avancarga más modernas, la retícula DOA 250 está creada para enfocar a 92 metros (100 yardas) y proporciona una marca de puntería cada 45 metros (50 yardas) de cada 228 metros (250 yardas). El usuario puede ajustar a 100 yardas con cualquier valor de ampliación, pero para que la función de la retícula balística y el Rack Bracket funcionen correctamente la ampliación del objetivo debe fijarse a la potencia correcta. Los ajustes correctos para los objetivos con retícula DOA 250 son los siguientes:

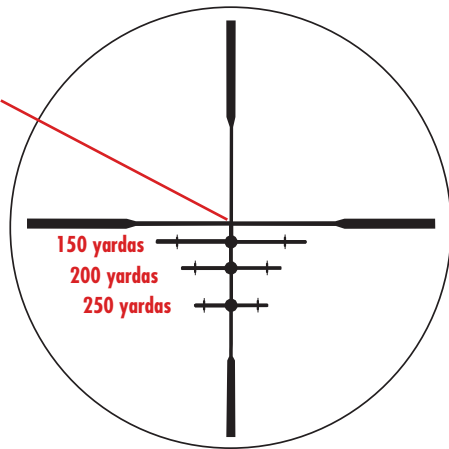
<b>Si su objetivo es de:</b>	<b>Utilice este ajuste de potencia:</b>
3-9x 40	9x

El tirador puede utilizar munición de calibre 0,45 o 0,50, o bien 100 o 150 granos de perdigones Triple 7. La tabla balística siguiente es una versión de la más completa disponible en línea en: <http://www.bushnell.com/>

## DOA 250

### Armas de avancarga en línea

Basada en un cero a 100 yardas y la balística de las cargas magnum más habituales para armas en línea.



## **Utilización de la retícula:**

1. Ajuste a 100 yardas (95 metros) con cualquier valor de ampliación
2. Determine la distancia al objetivo. Para tener la máxima precisión al determinar la distancia, utilicen un telémetro láser de Bushnell (Scout DX 1000 ARC, G-Force DX).
3. Ponga la ampliación del objetivo a 9x (potencia 9).
4. Coloque la marca de puntería adecuada en el objetivo deseado. Si se determinó que el objetivo estaba a 175 yardas, mantenga directamente entre la marca de puntería de 150 yardas y la de 200 yardas.

	Ajuste de mira a 100 yardas		Marca de 250 yardas	Marca de 300 yardas	Ajuste de mira a 150 yardas		Marca de 250 yardas	Marca de 300 yardas
	Marca de 150 yardas	Marca de 200 yardas			Marca de 150 yardas	Marca de 200 yardas		
Calibre 0,45, 225 g, HP recubierta de cobre BC= 0,176 100 granos	150	200	250	300	180	225	275	300
Calibre 0,45, 225 g, HP recubierta de cobre BC= 0,176 150 granos	150	200	250	300	180	225	275	300
Calibre 0,50, 245 g, HP recubierta de cobre BC= 0,140 150 granos	150	200	250	300	180	225	275	300
Calibre 0,50, 295 g, HP recubierta de cobre BC= 0,168 150 granos	150	200	250	300	180	225	275	300
Calibre 0,50, 348 g, HP recubierta de cobre BC= 0,198 150 granos	150	200	250	300	180	225	275	300
Calibre 0,45, 225 g, AeroTip recubierta de cobre BC= 0,211 150 granos	150	200	250	300	180	225	275	300
Calibre 0,45, 275 g, AeroTip recubierta de cobre BC= 0,258 150 granos	150	200	250	300	180	225	275	300
Calibre 0,45, 300 g, AeroTip Platinum BC= 0,278 100 granos	150	200	250	300	180	225	275	300
Calibre 0,50, 223 g, AeroTip recubierta de cobre BC= 0,142 150 granos	150	200	250	300	180	225	275	300
Calibre 0,50, 245 g, AeroTip recubierta de cobre BC= 0,161 150 granos	150	200	250	300	180	225	275	300
Calibre 0,50, 300 g, AeroTip recubierta de cobre BC= 0,192 150 granos	150	200	250	300	180	225	275	300
Calibre 0,50, 295 g, AeroTip recubierta de cobre BC= 0,186 100 granos	150	200	250	300	180	225	275	300
Calibre 0,50, 295 g, AeroTip recubierta de cobre BC= 0,186 150 granos	150	200	250	300	180	225	275	300
Calibre 0,50, 300 g, AeroTip Platinum BC= 0,214 150 granos	150	200	250	300	180	225	275	300

## **RETÍCULA DOA 600 – Para armas de percusión central**

Diseñada para utilizarla con los cartuchos para rifle de percusión central más populares de la actualidad, la retícula DOA está pensada para ajustarla a 100 yardas y ofrece marcas de puntería cada 100 yardas hasta llegar a 600 yardas. El usuario puede ajustar a 100 yardas con cualquier valor de ampliación, pero para que la función de la retícula balística funcione correctamente la ampliación del objetivo debe fijarse a la potencia correcta. Los ajustes correctos para los objetivos con retícula DOA son los siguientes:

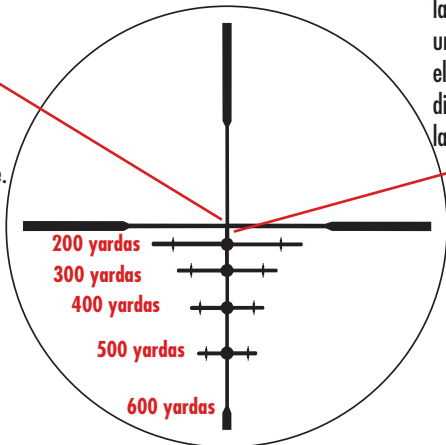
<b>Si su objetivo es de:</b>	<b>Utilice este ajuste de potencia:</b>
3-9x 40	9x
4-12x 40	12x
2.5-16x 42	16x
4.5-30x 50	20x



## DOA 600

### Rifles de percusión central

Basados en un cero a 100 yardas y la balística de las combinaciones de carga/bala para caza de cérvidos más habituales actualmente.



Con puntos MOA como marcas de puntería de largo alcance, la DOA ofrece un nivel de precisión más elevado que las retículas de distancia ampliada de la competencia.

## Utilización de la retícula:

1. Ajuste a 100 yardas con cualquier valor de ampliación
2. Determine la distancia al objetivo. Para tener la máxima precisión al determinar la distancia, utilicen un telémetro láser de Bushnell (Scout DX 1000 ARC, G-Force DX).
3. Fije la ampliación al valor adecuado.
4. Coloque la marca de puntería adecuada en el objetivo deseado. Si se determinó que el objetivo estaba a 350 yardas, mantenga directamente entre la marca de puntería de 300 yardas y la de 400 yardas.

### La retícula DOA sólo funcionará con alguna de las cargas de munición siguientes:

0,223 Win de 55 g	0,7mm WSM, 150 g
0,243 Win de 95 g	0,30-06 Sprg, 150 g
0,25-06 Rem de 115 g	0,300 Winchester Mag, 180 g
0,270 Win de 130 g	0,300 WSM, 180 gr.
0,270 WSM, 150 gr.	0,338 Win, 200 g
0,7 mm Rem Mag, 150 g	

## **RETÍCULA DE BALLESTA DOA: Para todas las ballestas**

La nueva DOA para ballestas de Bushnell se diseñó para el cazador especializado en ballestas y se creó según normas estrictas con la participación de los expertos más destacados del país en tecnología de ballestas.

La DOA para ballestas se basa en un enfoque a 18 m (20 yardas) con puntos de mira cada 9 m (10 yardas) y hasta 46 m (50 yardas) (véase a continuación). La parte superior del puesto de fondo proporciona un punto de mira de 55 m (60 yardas). La retícula se calibra balísticamente para utilizarse con el ajuste de 1.75X en el anillo de potencia del objetivo. Con ello, se ofrece al usuario un punto de detención sólido para asegurarse de que selecciona la potencia correcta para utilizar la retícula adecuadamente, junto con un amplio campo de visión para ver el objetivo y asegurarse de que es un disparo seguro y limpio.

Los datos balísticos se obtuvieron tras repetidas comprobaciones de una ballesta que dispara a 300 fps con una flecha de 315 granos y una punta de 100 granos. Aunque la retícula funcionará con cualquier velocidad, peso de flecha o peso de punta, Bushnell debe subrayar la importancia de practicar con su propia configuración y de realizar los ajustes que estime oportunos, según las circunstancias específicas de las condiciones de disparo.

Los puntos de mira se basaron en 300 fps/315 gr/100 gr, pero la práctica a cada punto de mira señalado con su configuración particular determinará a qué corresponden los puntos de mira para su plataforma individual de disparo.

Bushnell también ha incorporado su tecnología de horquilla de nuca en su nuevo diseño de retícula, para que el cazador de ballesta pueda calibrar mejor en campo el ciervo mulo o de cola blanca que va a cazar. En el punto de mira principal, hay dos pequeñas marcas de control (la distancia entre estas representan 17 pulgadas a 18 m [20 yardas]). La distancia entre las subtensiones gruesas del principal retículo en cruz representan 24 pulgadas a 18 m (20 yardas). En el punto de mira de 46 m (50 yardas) hemos vuelto a incluir nuestra horquilla de nuca, con marcas de control que representan 17 pulgadas y una longitud total de 24 pulgadas.

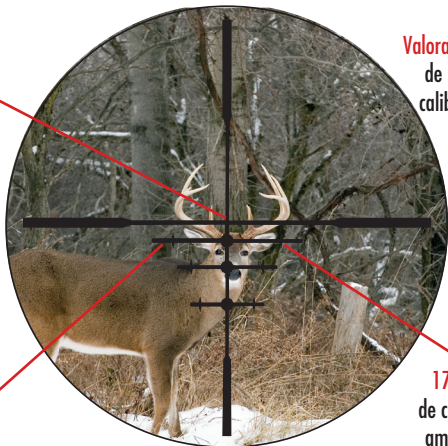


## **FUNCIONAMIENTO DE LA HORQUILLA DE NUCA**

Para ayudar a los cazadores, Bushnell se ocupó de los problemas a los que muchos de ellos se han enfrentado en el campo. La calibración en campo de un ciervo, especialmente en una vista ampliada, puede ser demasiado difícil. Para ayudar a la calibración en campo de ciervos de cola blanca y ciervos mulos hemos incorporado una serie de líneas que se extienden desde las distintas marcas de puntería. Cada línea mide 24 pulgadas a la distancia correspondiente. En cada línea también hay dos "marcas de control" que miden 17 pulgadas entre ellas. ¿Por qué hemos elegido 24 y 17"? Después de una investigación exhaustiva se determinó que 24 pulgadas es el ancho medio entre las orejas de un ciervo mulo y 17 pulgadas la de un ciervo de orejas blancas. Llegada la hora de calibrar un animal, ahora los cazadores pueden tener una estimación del ancho de la nuca y, posiblemente, incluso de la longitud de las astas. Las estimaciones de la horquilla de nuca son sólo una referencia y pueden no ser exactas. Téngase en cuenta que el cazador es el único responsable de la calibración final de cualquier animal que decida abatir. **Consulten las regulaciones locales o estatales sobre las normativas de anchura de cornamenta de los animales capturados. Los cazadores tienen la responsabilidad de conocer y respetar todas las regulaciones sobre caza.**

## Sistema de horquilla de nuca Calíbrelo y abátalo con la horquilla de nuca.

Basada en el objetivo fijado a la potencia máxima. Por ejemplo, un teleobjetivo de 3-9x debería colocarse a 9x para conseguir precisión de la horquilla de nuca.



**24"** – Todas las cruces filares de distancia ampliada miden 24," la distancia de punta a punta entre las orejas de un ciervo mulo promedio.

**Valoración** – Use las mediciones de 24 y de 17 pulgadas para calibrar la anchura del ciervo. Si las orejas encajan, tendrá una estimación precisa de la pieza.

**17"** – Las marcas de control de cada cruz filar de distancia ampliada indican la distancia entre las orejas de un ciervo de cola blanca medio.

1. Determine la distancia a un ciervo mulo o de cola blanca. Para conseguir la medición de distancia más precisa, utilice un telémetro láser Bushnell (para obtener los mejores resultados se aconseja un modelo con compensación de rango angular [ARC], por ejemplo los Scout DX 1000 ARC, G-Force DX, etc.).
2. Ponga el anillo de potencia del teleobjetivo en la posición adecuada.
3. Si la distancia coincide con una de las marcas de puntería prescritas, puede utilizar la horquilla de nuca para calibrar el ancho de la cornamenta.

## **GARANTÍA LIMITADA PARA TODA LA VIDA**

Su producto Bushnell® está garantizado contra defectos de material y fabricación durante toda la vida del propietario original. La Garantía Limitada para Toda la Vida es una expresión de la confianza que tenemos en nuestros materiales y en la fabricación mecánica de nuestros productos, que le garantiza un servicio fiable durante toda la vida. En caso de defectos bajo esta garantía, nosotros, a nuestra opción, repararemos o sustituiremos el producto siempre que lo devuelva con portes pagados. Esta garantía no cubre defectos causados por el uso indebido, ni por un manejo, instalación o mantenimiento del producto inapropiados, o el mantenimiento hecho por otro que no sea un Centro de Servicio Autorizado de Bushnell.

Cualquier envío en Estados Unidos o Canadá que se haga bajo garantía deberá venir acompañado por lo siguiente:

- 1) Un cheque/giro postal por la cantidad de 10 dólares para cubrir los gastos de manejo y envío
- 2) Nombre y dirección donde quiere que se le envíe el producto
- 3) Una explicación del defecto
- 4) Prueba de compra
- 5) El producto debe empaquetarse bien en una caja resistente para evitar que se dañe durante el transporte, y enviarse con portes pagados a la dirección que se muestra a continuación:

### **En EE UU, enviar a:**

Bushnell Outdoor Products  
Attn.: Repairs  
9200 Cody  
Overland Park, Kansas 66214

### **En CANADÁ, enviar a:**

Bushnell Outdoor Products  
Attn.: Repairs  
140 Great Gulf Drive, Unit B  
Vaughan, Ontario L4K 5W1

En el caso de los productos comprados fuera de los Estados Unidos o Canadá, llame al distribuidor local para la información pertinente sobre la garantía. En Europa también puede llamar al:

Bushnell Germany GmbH  
European Service Centre  
Mathias-Brüggen-Str. 80  
D-50827 Köln  
GERMANY  
Tel: +49 221 995568-0  
Fax: +49 221 995568-20

Esta garantía le ofrece derechos legales específicos.  
Puede que tenga otros derechos que varían de un país a otro.

©2014 Bushnell Outdoor Products





## ALLGEMEINE INSTRUKTIONEN

Das DOA-Fadenkreuz bietet Jägern eine Reihe Zielpunkte, die passend für zahlreiche Schwarzpulver- und Zentralfeuerladungen sind. Diese Zielpunkte in Kombination mit unserer innovativen Rack Bracket ermöglichen es dem Jäger, seine effektive Reichweite zu erhöhen, und unterstützen bei der Bestimmung von Weißwedelhirschen oder Maultierhirschen auf größeren Entfernungen. **Bushnell möchte betonen, dass diese Hilfsmittel immer nur so gut sind, wie die Praxis des Schützen es zulässt. Das Einschießen und Trainieren auf den vorgegebenen Entfernungen mit genauer Prüfung der Treffpunktlage ist durch nichts zu ersetzen.** Es ist unerlässlich, dass der Jäger zuerst auf dem Schießstand mit dem Fadenkreuz vertraut wird und lernt, wie dieses mit seiner Schußwaffe und der Geschossladung funktioniert. Die ballistische Leistung hängt von einer Vielzahl an Faktoren ab, einschließlich der Lauflänge, der Pulversorte, der Kugelart und vielen Wetter-/Klima-bezogenen Variablen.

## DAS DOA 200-FADENKREUZ – für Flinten

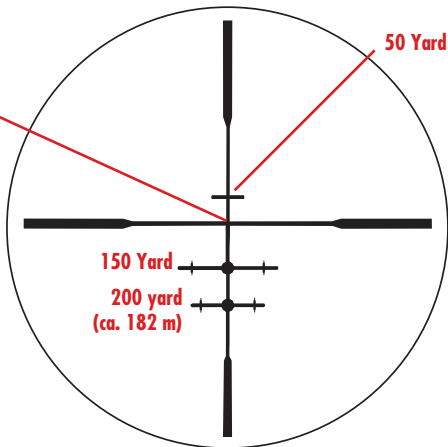
Zielfernrohre mit dem DOA 200 wurden für ein Anschießen auf 100 Yard konzipiert. Im Fadenkreuz sind eine höhere Markierung zum Anvisieren auf 50 Yard und zwei tiefere Markierungen für 150 Yard und 200 Yard integriert. Der Schütze kann Patronen des Kalibers 12 oder 20 verwenden.

Das Zielfernrohr muss weiterhin auf die korrekte Vergrößerung entsprechend der ballistischen Merkmale des Fadenkreuzes eingestellt sein, um ein korrektes Trefferbild zu erzielen. Bei einem 3-9x 40 mm Zielf-

ernrohr muss die Vergrößerung am Einstellrad auf 9x gestellt werden, damit die ballistische Funktion und die Racket Bracket korrekt passen.

## DOA 200 Für Flinten

Auf 100-Yard-  
Einschießbasis



## **Und so wird das Fadenkreuz verwendet:**

1. Anschießen auf 100 Yard bei einer beliebigen Vergrößerung
2. Bestimmung der Distanz zum Ziel. Für eine größtmögliche Genauigkeit bei der Entfernungsbestimmung verwenden Sie einen Bushnell Laser Rangefinder (Scout DX 1000 ARC, G-Force DX).
3. Stellen Sie die Vergrößerung des Zielfernrohrs auf x9 (9-fach).
4. Richten Sie den entsprechenden Zielpunkt auf das gewünschte Ziel aus. Wenn das Ziel 175 Yard entfernt ist, halten Sie direkt zwischen dem 150 Yard Zielpunkt und dem 200 Yard Zielpunkt an.

Das DOA 200 Fadenkreuz kann mit den folgenden Ladedaten verwendet werden:

Flintenlaufgeschoss Hornady 300 g SST Kal. 12 2 3/4"	Win Supreme SSPTH20 260 g
Win Supreme Elite SXP123 300 g	Rem Premier Accutip 2 3/4" 385 g
Win Supreme Elite SXP12 300 g	Rem Premier Accutip 3" 260 g
Win Supreme Elite SSDB123 375 g	Rem Premier Accutip Kal. 2 3/4" 260 g
Win Supreme Elite SSDB12 375 g	Rem Premier Accutip Kal. 20 3" 260 g
Win Supreme Elite SSDB203 260 g	Rem Copper Solid 2 3/4" 437 g
Win Supreme Elite SSDB20 240 g	Rem Copper Solid 3" 437 g
Win Supreme SSP123 385 g	Rem Copper Flintenlaufgeschoss Kal. 20 2 3/4" 289 g
Win Supreme SSP12 385 g	Rem Core Lokt Ultra 2 3/4" 385 g
Win Supreme SSPTH12 400 g	Rem Core Lokt Ultra Kal. 20 2 3/4" 260 g
Win Supreme WL12PTHP 400 g	
Win Supreme SSP203 260 g	
Win Supreme SSP20 260 g	

Dies ist nur eine auszugsweise Liste der Munition, für die das Fadenkreuz ballistisch geeignet ist. Für eine vollständige Liste aller mit der DOA 200 Fadenkreuztechnologie kompatibler Munitionsarten besuchen Sie bitte: <http://www.bushnell.com/global/customer-service/product-manuals>

## **DAS DOA 250 FADENKREUZ – Für Vorderlader**

Ausgelegt zur Verwendung mit den populärsten Vorderlader-Ladungen soll das DOA 250-Fadenkreuz auf 100 Yard eingeschossen werden; es bietet alle 50 Yard einen Visierpunkt bis hinaus auf 250 Yard. Der Benutzer kann bei beliebiger Vergrößerung auf 100 Yard einschießen. Um jedoch die korrekte Funktion der ballistischen Fadenkreuzfunktion und der Rack Bracket zu gewährleisten, muss die Vergrößerung des Zielfernrohrs auf die richtige Leistung eingestellt sein. Die korrekten Einstellungen für Zielfernrohre mit einem DOA 250-Fadenkreuz sind wie folgt:

**Wenn Sie das folgende Zielfernrohr verwenden:: Wählen Sie diese Leistungseinstellung:**

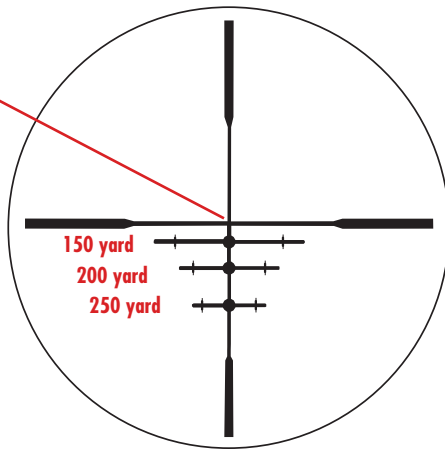
3-9x 40

9x

Der Schütze kann wahlweise Munition der Kaliber .45 oder .50 verwenden und zwischen 100 oder 150 Grain Triple 7 Schrotkugeln wählen. Die unten dargestellte Balistiktafel ist eine Kurzversion der umfangreicheren, online verfügbaren Tabelle unter: <http://www.bushnell.com/>

## DOA 250 Inline-Vorderlader

Auf der Basis eines 100  
Yard Anschusses und den  
Ballistiken der gebräuchlis-  
ten Magnumladungen für  
Inlines (innenliegende  
Zündung).



## **Und so wird das Fadenkreuz verwendet:**

1. Anschießen auf 100 Yard bei einer beliebigen Vergrößerung
2. Bestimmung der Distanz zum Ziel. Für eine größtmögliche Genauigkeit bei der Entfernungsbestimmung verwenden Sie einen Bushnell Laser Rangefinder (Scout DX 1000 ARC, G-Force DX).
3. Stellen Sie die Vergrößerung des Zielfernrohrs auf 9x (9-fach).
4. Richten Sie den entsprechenden Zielpunkt auf das gewünschte Ziel aus. Wenn das Ziel auf 175 Yard bestimmt wurde, halten Sie direkt zwischen den 150 Yard Zielpunkt und den 200 Yard Zielpunkt.



	100 Yard Anschießen				150 Yard Anschießen			
	150 Yard Markier- ing	200 Yard Markier- ing	250 Yard Markier- ing	300 Yard Markier- ing	150 Yard Markier- ing	200 Yard Markier- ing	250 Yard Markier- ing	300 Yard Markier- ing
.45 cal 225 gr Hohlschulz kupferbeschichtet BC=.176 100 Grain	150	200	250	300	180	225	275	300
.45 cal 225 gr Hohlschulz kupferbeschichtet BC=.176 150 Grain	150	200	250	300	180	225	275	300
.50 cal 245 gr Hohlschulz kupferbeschichtet BC=.140 150 Grain	150	200	250	300	180	225	275	300
.50 cal 295 gr Hohlschulz kupferbeschichtet BC=.168 150 Grain	150	200	250	300	180	225	275	300
.50 cal 348 gr Hohlschulz kupferbeschichtet BC=.198 150 Grain	150	200	250	300	180	225	275	300
.45 cal 225 gr kupferbeschichtet AeroTip BC=.211 150 Grain	150	200	250	300	180	225	275	300
.45 cal 275 gr kupferbeschichtet AeroTip BC=.258 150 Grain	150	200	250	300	180	225	275	300
.45 cal 300 Platinum AeroTip BC=.278 100 Grain	150	200	250	300	180	225	275	300
.50 cal 223 gr kupferbeschichtet Aero Tip BC=.142 150 Grain	150	200	250	300	180	225	275	300
.50 cal 245 gr kupferbeschichtet AeroTip BC=.161 150 Grain	150	200	250	300	180	225	275	300
.50 cal 270 Platinum AeroTip BC=.192 150 Grain	150	200	250	300	180	225	275	300
.50 cal 295 gr kupferbeschichtet AeroTip BC=.186 100 Grain	150	200	250	300	180	225	275	300
.50 cal 295 gr kupferbeschichtet AeroTip BC=.186 150 Grain	150	200	250	300	180	225	275	300
.50 cal 300 gr Platinum AeroTip BC=.214 150 Grain	150	200	250	300	180	225	275	300

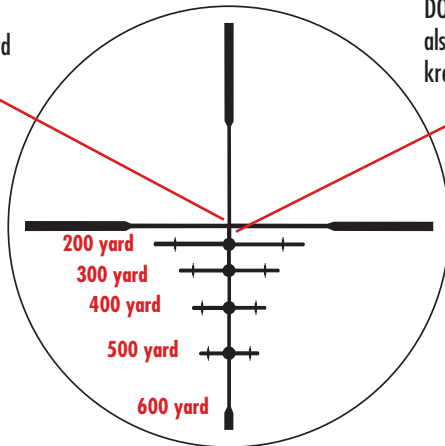
## **DAS DOA 600-FADENKREUZ – Für Zentralfeuer- gewehre**

Das DOA 600 Fadenkreuz wurde für die Verwendung mit den heute am häufigsten benutzten Zentralfeuer-Gewehrpatronen entwickelt. Es sollte auf 100 Yard angeschossen werden und bietet Zielpunkte in 100 Yard Inkrementen bis 600 Yard. Der Benutzer kann bei beliebiger Vergrößerung auf 100 Yard anschießen. Um jedoch die korrekte Funktion der ballistischen Fadenkreuzfunktion zu gewährleisten, muss die Vergrößerung des Zielfernrohrs auf die richtige Leistung eingestellt sein. Die korrekten Einstellungen für Zielfernrohr mit einem DOA-Fadenkreuz sind wie folgt

<b>Wenn Sie das folgende Zielfernrohr verwenden:</b>	<b>Wählen Sie diese Leistungseinstellung:</b>
3-9x 40	9x
4-12x 40	12x
2.5-16x 42	16x
4.5-30x 50	20x

## DOA 600 Zentralfeuerwaffe

Auf der Basis einer 100 Yard  
Fleckeinstellung und den  
Ballistiken der heutzutage  
beliebtesten Kugel-/  
Ladungskombinationen  
zur Rotwildjagd.



Mit den MOA-Dots als Weit-  
bereichszielpunkte bietet das  
DOA eine höhere Präzision  
als vergleichbare Faden-  
kreuze des Wettbewerbs.

## **Und so wird das Fadenkreuz verwendet:**

1. ASchießen Sie bei beliebiger Vergrößerung auf 100 Yard an
2. Bestimmen Sie die Entfernung zum Ziel. Für eine größtmögliche Genauigkeit bei der Entfernungsbestimmung verwenden Sie einen Bushnell Laser Rangefinder (Scout DX 1000 ARC, G-Force DX).
3. Stellen Sie die Vergrößerung korrekt ein.
4. Richten Sie den entsprechenden Zielpunkt auf das gewünschte Ziel. Wenn das Ziel auf 350 Yard bestimmt wurde, halten Sie direkt zwischen den 300 Yard Zielpunkt und den 400 Yard Zielpunkt

## **Das DOA 600 Fadenkreuz kann mit den folgenden Munitionsladungen verwendet werden:**

.223 Win 55 gr	.7mm WSM, 150 gr.
.243 Win, 95 gr.	.30-06 Sprg, 150 gr.
.25-06 Rem 115 gr	.300 Winchester Mag, 180 gr.
.270 Win, 130 gr.	.300 WSM, 180 gr.
.270 WSM, 150 gr.	.338 Win, 200 gr.
.7mm Rem Mag, 150 gr	

## **DAS DOA-FADENKREUZ FÜR ARMBRÜSTE – Für alle Armbrüste**

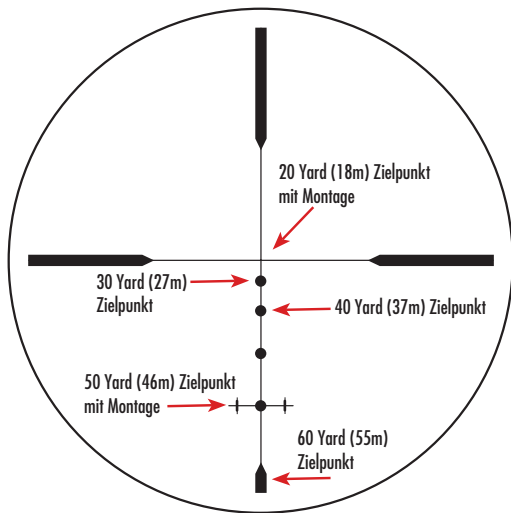
Das neue Armbrust-DOA von Bushnell wurde für den aktiven Armbrustschützen entwickelt und erfüllt anspruchsvolle Standards dank der Unterstützung durch landesweit führende Experten in der Armbrust-Technologie.

Das Armbrust-DOA basiert auf einem 20 Yard Nullpunkt mit Zielpunkten in 10 Yard-Schritten bis zu 50 Yard (siehe unten). Die Spitze des unteren dickeren Balkens zeigt den 60 Yard Zielpunkt an. Das Fadenkreuz ist ballistisch auf eine 2-fache Vergrößerung am Einstellring des Zielfernrohrs ausgelegt. Damit erhält der Benutzer einen guten Haltepunkt, um die richtige Energie zur korrekten Nutzung des Fadenkreuzes aufzubringen und ein breites Sichtfeld zu erzielen, um einen ethisch sauberen, sicheren Schuß anbringen zu können.

Die ballistischen Daten wurden aus wiederholten Tests mit einer Armbrust erlangt, die mit 300 fps mit einem 315 Grain Pfeil und einem 100 Grain Breitkopf schießt. Das Fadenkreuz wird zwar mit jeder Geschwindigkeit, jedem Pfeil- oder Breitkopfgewicht schießen, allerdings weist Bushnell darauf hin, dass es wichtig ist, mit Ihren eigenen Laborierungen zu üben und bei Bedarf Anpassungen für die spezifischen Umstände vorzunehmen, unter denen Sie schießen.

Die Zielpunkte basierten auf 300 fps/315gr/100gr, doch das Testen der jeweils angegebenen Zielpunkte mit Ihrer spezifischen Einrichtung bestimmt letztendlich, welche Zielpunkte Ihrer speziellen Armbrust entsprechen.

Bushnell hat weiterhin seine Rack Bracket Technologie in dieses neue Fadenkreuz-Design integriert, damit der Bogenschütze den Weißwedelhirsch oder den Hirsch, den er jagen möchte, leichter einschätzen kann. Im Fadenkreuz sind zwei kleine Rautenmarkierungen; der Abstand dazwischen markiert 17 Zoll auf 20 Yard. Die Entfernung zwischen den dicken äußeren Balken und dem dünneren Fadenkreuz markiert 24 Zoll auf 20 Yard. Auf dem 50 Yard Zielpunkt haben wir wiederum unsere Rack Bracket integriert, die Rautenmarkierungen aufweist, welche 17 Zoll markieren. Die Gesamtlänge hierbei beträgt 24 Zoll.



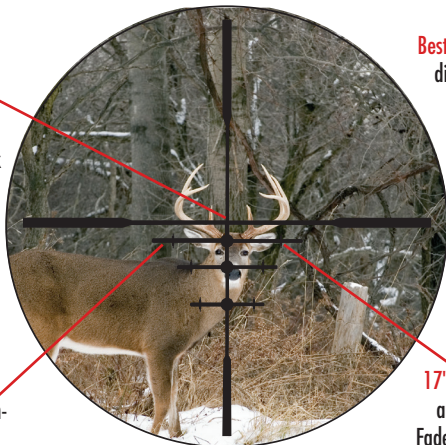
## UND SO FUNKTIONIERT DIE RACK BRACKET

Zur Unterstützung von Jägern konzentrierte sich Bushnell auf die Probleme, mit denen Jäger bei der Bestimmung konfrontiert werden. Die Bestimmung von Rotwild, insbesondere durch Vergrößerungsansicht, kann sich äußerst schwierig gestalten. Um bei der Bestimmung von Weißwedelhirschen oder Maultierhirschen zu unterstützen, haben wir eine Reihe von Linien eingefügt, die aus dem Zielpunkt herausragen. Jede Linie misst in der entsprechenden Distanz 24 Zoll. Weiterhin gibt es zwei "Rautenzeichen" an jeder Linie, die 17 Zoll abgrenzen. Warum haben wir uns für 24" und 17" entschieden? Nach intensiven Forschungen wurde festgestellt, dass die durchschnittliche Ohrenbreite eines Maultierhirsches 24 Zoll beträgt und die durchschnittliche Ohrenbreite des Weißwedelhirsches 17 Zoll. Vorausgesetzt, dass sich der Jäger ausreichend Zeit zur Bestimmung eines Tieres nimmt, kann er nun eine Schätzung der Geweihbreite und möglicherweise sogar der Sprossenlängen vornehmen. Rack Bracket Schätzungen dienen nur zur Referenz und können ungenau sein. Beachten Sie, dass es allein in der Verantwortung des Jägers liegt, das Tier endgültig zu bestimmen, dass er erlegen möchte. **Bitte beachten Sie Ihre lokalen und/oder staatlichen Vorschriften bezüglich der Geweihbreitestandards für erlegte Tiere. Es liegt in der Verantwortung des Jägers, sich das entsprechende Wissen anzueignen und sämtliche Bestimmungen einzuhalten.**

## Das Rack Bracket System Mit der Rack Bracket jetzt mühelos einschätzen und Erlegen.

Das Zielfernrohr muss hierzu auf der höchsten Einstellung stehen. Ein 3-9x Zielfernrohr muss beispielsweise auf 9x eingestellt sein, damit die Rack Bracket genau misst.

**24"** – Alle erweiterten Yard-Fadenkreuze messen 24," das ist die durchschnittliche Spitzen-zu-Spitzen Entfernung der Ohren eines Maultierhirsches.



**Bestimmung** – Verwenden Sie die 24" und 17" Maße zum Abmessen der Bockbreite. Wenn die Ohren passen, haben Sie eine genaue Entfernungsschätzung.

**17"** – Die Rautenmarkierung an jedem erweiterten Yard-Fadenkreuz zeigt den Abstand zwischen den Ohren eines durchschnittlichen Weißwedelhirsches an.



1. Bestimmung der Distanz zu einem Weißwedel- oder Maultierhirsch. Für genaueste Entfernungsmessungen wird die Verwendung eines Bushnell Laser Rangefinders (für beste Ergebnisse ein Modell mit Winkelbereichskompensierung) empfohlen, zum Beispiel den Scout DX 1000 ARC, G-Force DX etc).
2. Stellen Sie die Leistungsscheibe des Zielfernrohrs auf die korrekte Position.
3. Wenn die Entfernung einen der vorgeschriebenen Zielpunkte erfüllt, können Sie die Rack Bracket zum Messen der Geweihbreite verwenden.

## BESCHRÄNKTE LEBENSLANGE GARANTIE

Sie erhalten für Ihr Bushnell®-Produkt eine lebenslange Garantie. Die Garantie gilt für den Erstbesitzer und erstreckt sich auf Material- und Herstellungsfehler. Die beschränkte lebenslange Garantie ist Ausdruck unseres Vertrauens in die Materialien und die mechanische Ausführung unserer Produkte und gewährleistet Ihnen einen lebenslangen zuverlässigen Kundendienst. Für den Fall, dass ein Mangel im Rahmen dieser Garantie auftritt, werden wir das Produkt nach unserer Wahl reparieren oder austauschen, vorausgesetzt, dass Sie das Produkt freigemacht zurückschicken. Von dieser Garantie ausgeschlossen sind Schäden, die auf Missbrauch, unsachgemäße Behandlung, Installations- oder Wartungsarbeiten, die nicht von einer autorisierten Bushnell-Kundendienstabteilung vorgenommen werden, zurückzuführen sind.

Jeder Rücksendung in die USA oder nach Kanada im Rahmen dieser Garantie müssen folgende Dokumente und Angaben beigefügt werden:

- 1) Ein Scheck/eine Zahlungsanweisung in Höhe von 10,00 USD zur Abdeckung der Porto- und Bearbeitungskosten
- 2) Name und Anschrift für die Rücksendung des Produkts
- 3) Eine Erläuterung des Mangels
- 4) Kaufbeleg
- 5) Das Produkt sollte zur Vermeidung von Transportschäden gut verpackt in einem stabilen Versandkarton an die nachstehend aufgeführte Adresse geschickt werden, wobei die Gebühren für die Rücksendung im Voraus zu entrichten sind.

### **Adresse für Rücksendungen in die USA:**

Bushnell Outdoor Products  
Attn.: Repairs  
9200 Cody  
Overland Park, Kansas 66214

### **Adresse für Rücksendungen nach KANADA:**

Bushnell Outdoor Products  
Attn.: Repairs  
140 Great Gulf Drive, Unit B  
Vaughan, Ontario L4K 5W1

Bei Produkten, die Sie außerhalb der Vereinigten Staaten oder Kanadas gekauft haben, erhalten Sie die entsprechenden Informationen zur Garantie von ihrem Händler vor Ort. In Europa erreichen Sie Bushnell auch unter:

Bushnell Germany GmbH  
European Service Centre  
Mathias-Brünnen-Str. 80  
D-50827 Köln  
GERMANY  
Tel: +49 221 995568-0  
Fax: +49 221 995568-20

Mit dieser Garantie erwerben Sie bestimmte Rechtsansprüche.  
Sie haben möglicherweise darüber hinaus noch andere Rechte, die von Land zu Land variieren.

©2013 Bushnell Outdoor Products



## ISTRUZIONI GENERALI

Il reticolo DOA offre ai cacciatori una serie di punti di mira adatti a vari fucili a polvere nera e ad innesco centrale. Questi punti di mira, associati al nostro innovativo sistema Rack Bracket per la misurazione dell'ingombro della base del trofeo, permettono ai cacciatori di allungare la loro linea di tiro e li aiuta a valutare sul campo i cervi mulo o dalla coda bianca, anche a notevoli distanze. **Bushnell ricorda che, quanto più ci si eserciterà con gli strumenti, tanto più i risultati saranno migliori.** Nulla può sostituire il tempo trascorso sul campo di tiro sparando bene a ciascuna delle distanze prescritte, e tenendo nota della caduta del proiettile. È estremamente importante che i cacciatori si esercitino sul campo di tiro, acquisiscano familiarità con il reticolo e con il suo funzionamento in base all'arma e alla carica utilizzata. La resa balistica può variare in base ad una serie di fattori, inclusa la lunghezza della canna del fucile, il tipo di polvere, il tipo di pallottola, e molte altre variabili legate al tempo/condizioni atmosferiche.

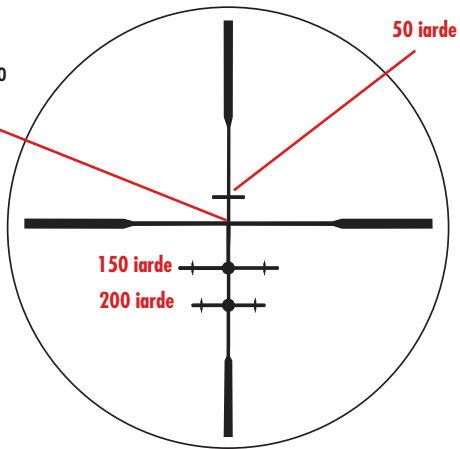
### RETICOLO 200 DOA - Per pistole a pallottola

I cannocchiali DOA 200 sono progettati per eseguire la taratura a 91 metri. All'interno del reticolo è presente una tenuta inferiore da 45 metri nonché punti di mira con tenuta superiore da 137 metri e 182 metri. L'utente può quindi decidere di utilizzare munizioni con calibro 12 o 20.

Il cannocchiale deve essere regolato con ingrandimento idoneo affinché il reticolo balistico possa funzionare correttamente. Nel caso di un cannocchiale 3-9x 40mm, l'anello di regolazione dell'ingrandimento deve essere impostato su 9x affinché le funzioni balistica e Rack Bracket possano operare correttamente.

## DOA 200 Per pistole a pallottoler

Basate su posizionamento  
a 100 iarde.



## **Modalità di impiego del reticolo:**

1. Tarare la distanza di tiro a 91 metri con qualsiasi ingrandimento
2. Determinare la distanza dal bersaglio. Per stabilire la distanza con la massima accuratezza, usare un telemetro laser Bushnell (Scout DX 1000 ARC, G-Force DX).
3. Regolare l'ingrandimento del cannocchiale su 9x (ingrandimento 9).
4. Stabilire il punto di mira idoneo per il bersaglio selezionato. Qualora l'obiettivo selezionato sia ad una distanza di 160 metri, mantenere il punto di mira direttamente tra 137 metri e 182 metri.

Il reticolo DOA 200 può essere utilizzato con le seguenti munizioni:

Hornady 300 gr SST pallottola calibro 12 2 3/4 "

Win Supreme Elite SXP123 300 gr

Win Supreme Elite SXP12 300 gr

Win Supreme Elite SSDB123 375 gr

Win Supreme Elite SSDB12 375 gr

Win Supreme Elite SSDB203 260 gr

Win Supreme Elite SSDB20 240 gr

Win Supreme SSP123 385 gr

Win Supreme SSP12 385 gr

Win Supreme SSPTH12 400 gr

Win Supreme WL12PTHP 400 gr

Win Supreme SSP203 260 gr

Win Supreme SSP20 260 gr

Win Supreme SSPTH20 260 gr

Rem Premier AccuTip 2 3/4 in 385 gr

Rem Premier AccuTip 3 in 385 gr

Rem Premier AccuTip calibro 20 2 3/4 in 260 gr

Rem Premier AccuTip calibro 20 3 in 260 gr

Rem Copper Solid 2 3/4 in 437 gr

Rem Copper Solid 3 in 437 gr

Rem Copper Slug calibro 20 2 3/4 in 289 gr

Rem Core Lokt Ultra 2 3/4 in 385 gr

Rem Core Lokt Ultra calibro 20 2 3/4 in 260 gr

Il presente elenco riporta solo parzialmente le munizioni con cui il reticolo risulta balisticamente compatibile. Per visionare un elenco completo di tutte le munizioni compatibili con il reticolo DOA 200, visitare la pagina: <http://www.bushnell.com/global/customer-service/product-manuals>

## **RETICOLO DOA 250 – Per fucili ad avancarica**

Ideato per essere utilizzato con i fucili ad avancarica più comuni il reticolo DOA 250 è destinato al posizionamento a 100 iarde e offre punti di mira ogni 50 iarde fino a 250 iarde. L'utente può azzerare la distanza di tiro a 100 iarde con qualsiasi ingrandimento, ma affinché il reticolo balistico e il sistema Rack Bracket funzionino correttamente, occorre impostare l'ingrandimento del cannocchiale alla potenza giusta. Le impostazioni corrette per i cannocchiali con reticolo DOA 250 sono le seguenti:

<b>Se il vostro cannocchiale è un:</b>	<b>Usate le seguenti impostazioni:</b>
<b>3-9x 40</b>	<b>9x</b>

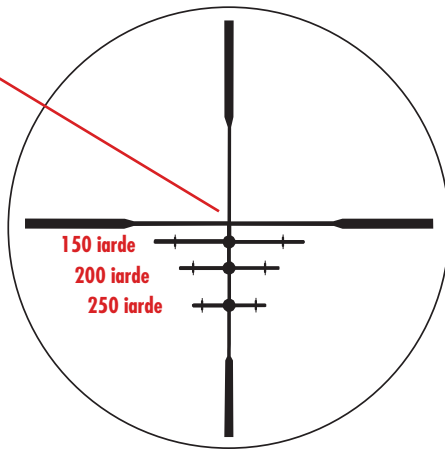
Il tiratore può utilizzare munizioni calibro .45 o .50, e pallottole Triple 7 da 100 o 150 grani. Il grafico balistico fornito qui sotto è una versione ridotta di quello completo disponibile online su: <http://www.bushnell.com/>



## DOA 250

### Fucili ad avancarica

Azzerati a 100 iarde, e la balistica delle più comuni cariche pesanti per fucili ad avancarica.



## **Come usare il reticolo:**

1. Tarare la distanza di tiro a 100 iarde con qualsiasi ingrandimento
2. Stabilire la distanza dal bersaglio. Per determinare la distanza con la massima accuratezza, usare un telemetro laser Bushnell (Scout DX 1000 ARC, G-Force DX).
3. Impostare l'ingrandimento del cannocchiale su 9x (ingrandimento 9).
4. Prendere il punto di mira appropriato sul bersaglio desiderato. Se l'obiettivo è stato individuato ad una distanza di 175 iarde, mantenere il punto di mira tra 150 iarde e 200 iarde.

	Taratura 100 iarde		Marca- tura 250 iarde	Marca- tura 300 iarde	Taratura 150 iarde		Marca- tura 250 iarde	Marca- tura 300 iarde
	Marca- tura 150 iarde	Marca- tura 200 iarde			Marca- tura 150 iarde	Marca- tura 200 iarde		
cal .45 225 gr HP ricoperta in rame BC=.176 100 grani	150	200	250	300	180	225	275	300
cal .45 cal 225 gr HP ricoperta in rame BC=.176 150 grani	150	200	250	300	180	225	275	300
cal .50 245 gr HP ricoperta in rame BC=.140 150 grani	150	200	250	300	180	225	275	300
cal .50 295 gr HP ricoperta in rame BC=.168 150 grani	150	200	250	300	180	225	275	300
cal .50 348 gr HP ricoperta in rame BC=.198 150 grani	150	200	250	300	180	225	275	300
cal .45 225 gr AeroTip ricoperta in rame BC=.211 150 grani	150	200	250	300	180	225	275	300
cal .45 275 gr AeroTip ricoperta in rame BC=.258 150 grani	150	200	250	300	180	225	275	300
cal .45 300 Aero Tip Platinum BC=.278 100 grani	150	200	250	300	180	225	275	300
cal .50 223 gr Aero Tip ricoperta in rame BC=.142 150 grani	150	200	250	300	180	225	275	300
cal .50 245 gr AeroTip ricoperta in rame BC=.161 150 grani	150	200	250	300	180	225	275	300
cal .50 270 Aero Tip Platinum BC=.192 150 grani	150	200	250	300	180	225	275	300
cal .50 295 gr AeroTip ricoperta in rame BC=.186 100 grani	150	200	250	300	180	225	275	300
cal .50 295 gr AeroTip ricoperta in rame BC=.186 150 grani	150	200	250	300	180	225	275	300
cal .50 cal 300 gr Aero Tip Platinum BC=.214 150 grani	150	200	250	300	180	225	275	300

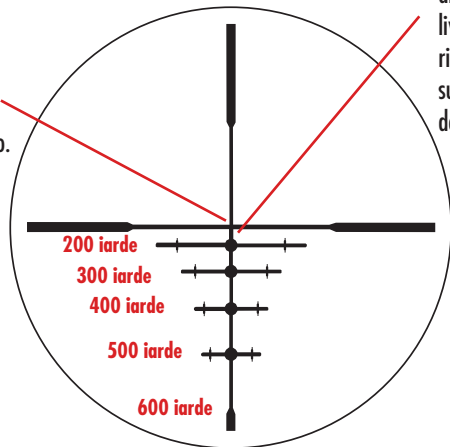
## **RETICOLO DOA 600 –Per fucili ad innesco centrale**

Ideato per essere usato con le attuali cartucce per i più comuni fucili ad innesco centrale, il reticolo DOA 600 va tarato a 100 iarde, con punti di mira ad incrementi di 100 iarde, fino a 600 iarde. L'utente può impostare la distanza di tiro a 100 iarde con qualsiasi ingrandimento, ma perché il reticolo balistico funzioni correttamente, occorre impostare l'ingrandimento del cannocchiale alla potenza giusta. Le giuste impostazioni per i cannocchiali con reticolo DOA sono le seguenti:

<b>Se il vostro cannocchiale è un:</b>	<b>Usate le seguenti impostazioni:</b>
3-9x 40	9x
4-12x 40	12x
2.5-16x 42	16x
4.5-30x 50	20x

## DOA 600 Fucili ad innesco centrale

Azzerati a 100 iarde, e la balistica delle più popolari combinazioni palla/carica attuali per la caccia al cervo.



Utilizzando i punti MOA come punti di mira a lunga distanza, il DOA offre un livello di precisione superiore rispetto ai reticoli ottici su distanze molto elevate della concorrenza.

## Come usare il reticolo:

1. Impostare la distanza di tiro a 100 iarde con ogni impostazione di ingrandimento
2. Stabilire la distanza dal bersaglio. Per determinare la distanza con la massima accuratezza, usare un telemetro laser Bushnell (Scout DX 1000 ARC, G-Force DX).
3. Impostare l'ingrandimento sui parametri appropriati.
4. Prendere il punto di mira appropriato sul bersaglio desiderato. Se l'obiettivo è stato individuato ad una distanza di 350 iarde, mantenere il punto di mira tra 300 iarde e 400 iarde

## È possibile usare il reticolo DOA 600 con i seguenti calibri:

.223 Win 55 gr	.7mm WSM, 150 gr.
.243 Win, 95 gr.	.30-06 Sprg, 150 gr.
.25-06 Rem 115 gr	.300 Winchester Mag, 180 gr.
.270 Win, 130 gr.	.300 WSM, 180 gr.
.270 WSM, 150 gr.	.338 Win, 200 gr.
.7mm Rem Mag, 150 gr	

## **RETICOLO DOA PER BALESTRE - Per tutti i tipi di balestre**

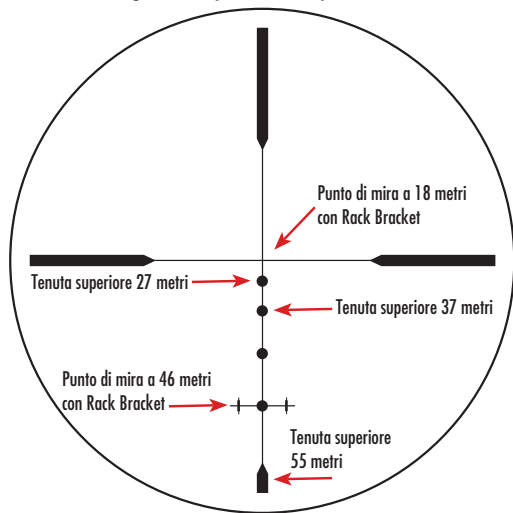
Il nuovo modello DOA Bushnell per balestre è stato progettato per gli amanti della caccia con la balestra ed è stato realizzato attenendosi ai più elevati standard stabiliti dai migliori esperti americani in tecnologie per la costruzione di balestre.

Il modello DOA per balestre si basa su uno zero da 18 metri con punti di mira ogni 9 metri, su un totale di 45 metri (vedi sotto). La parte più alta del supporto inferiore offre un punto di mira a 54 metri. Il reticolo è stato calibrato balisticamente per l'impiego con regolazione 1.75X dell'anello di ingrandimento del cannocchiale. Tale funzione costituisce un punto fermo per l'utente onde essere certo di avere selezionato l'ingrandimento idoneo per l'uso corretto del reticolo, insieme ad un ampio FOV per la visione del bersaglio, nella certezza che lo sparo sia eticamente sicuro e pulito.

I dati balistici derivano dai test ripetuti sulle balestre che possono eseguire tiri a 300 fps con frecce da 315 grani e broadhead da 100 grani. Nonostante il reticolo funzioni a qualsiasi velocità, con qualsiasi peso di frecce e broadhead, Bushnell desidera rimarcare l'importanza di fare pratica con le impostazioni personalizzate dell'utente apportando le necessarie regolazioni, a seconda delle circostanze specifiche delle condizioni di tiro.

I punti di mira si riferiscono a 300 fps/315gr/100gr, ma la pratica con ciascun punto di mira previsto per una particolare impostazione consentirà di determinare i punti di mira corrispondenti alla specifica piattaforma di tiro dell'utente.

Bushnell ha altresì incluso la Rack Bracket Technology per tale nuovo modello di reticolo, affinché gli amanti della caccia con la balestra possano valutare al meglio il campo di azione per la caccia al cervo mulo o dalla coda bianca. Sulla croce principale sono presenti due piccoli segni, la cui distanza corrisponde a 43 cm a 18 metri. La distanza tra le subtention spesse sulla croce principale corrisponde a 60 cm a 18 metri. Per punti di mira a 45 metri, è stata nuovamente inclusa la funzione Rack Bracket, in cui i segni corrispondono a 43 cm mentre la lunghezza totale corrisponde a 60 cm.





## COME FUNZIONA L'OPZIONE RACK BRACKET

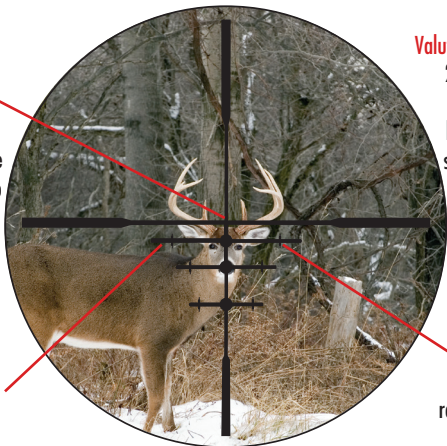
Nel tentativo di venire incontro ai cacciatori, Bushnell ha esaminato molti dei problemi che essi si trovano a dover affrontare sul campo. Giudicare un cervo sul campo, specialmente tramite l'ingrandimento, può risultare estremamente difficile. Per consentire la valutazione sul campo di cervi muli e dalla coda bianca, abbiamo incorporato nel reticolo una serie di linee che partono da ciascun punto di mira. Ogni linea misura 24 pollici alla rispettiva distanza. Su ogni linea vi saranno inoltre due "trattini" che distano 17 pollici l'uno dall'altro. Perché abbiamo scelto le distanze 24" e 17"? Approfondite ricerche hanno dimostrato che 24 pollici è la misura della distanza media tra gli orecchi di un cervo mulo e 17 pollici quella tra gli orecchi di un cervo dalla coda bianca. Disponendo di tempo a sufficienza, un cacciatore può adesso stimare la larghezza dell'ingombro della base del trofeo dell'animale, e persino la lunghezza delle corna. Le stime in questione sono solo a scopo di riferimento e si danno come indicative. Si prega di notare che spetta al cacciatore la decisione finale in merito all'abbattimento di un animale. **Si prega di fare riferimento alle norme locali e/o statali in merito alla larghezza delle corna degli animali da abbattere. È responsabilità del cacciatore conoscere e osservare tutte le norme in materia.**

## Il sistema Rack Bracket

### Misura il cervo e abbattilo con il sistema Rack Bracket.

Da usare con il dispositivo di puntamento e caccia impostato alla massima potenza. Ad esempio, un cannocchiale da caccia 3-9x dovrebbe essere impostato su un ingrandimento 9x per ottenere una misurazione accurata con il sistema Rack Bracket.

**24"** – Tutti i reticoli ottici su distanze molto elevate misurano 24", la distanza compresa tra gli orecchi di un cervo mulo medio.



**Valutazione** – Usare le misure 24" e 17" per misurare la larghezza del cervo. Se le orecchie corrispondono, si avrà una stima accurata della distanza di tiro.

**17"** – I trattini su ciascun reticolo su distanze elevate indicano la distanza tra le orecchie di un cervo a coda bianca medio.

1. Come stabilire la distanza di un cervo dalla coda bianca o di cervo mulo. Per una misurazione quanto più accurata delle distanze, usare un telemetro laser Bushnell (per risultati ottimali, si consiglia di usare un modello con compensazione angolare della distanza (ARC) - ad esempio, lo Scout 1000 ARC, il G Force 1300 ARC, etc).
2. Ruotare l'anello di ingrandimento del cannocchiale portandolo sulla giusta posizione.
3. Se la distanza corrisponde ad uno dei punti di mira indicati, potete utilizzare la funzione Rack Bracket per misurare la larghezza delle corna.

## GARANZIA LIMITATA A VITA

Si garantisce che questo prodotto Bushnell® sarà esente da difetti di materiale e fabbricazione finché rimarrà in possesso del proprietario originale. La presente garanzia limitata a vita esprime la nostra fiducia nei materiali e nella fabbricazione dei nostri prodotti e l'assicurazione di anni e anni di servizio affidabile. In caso di difetto durante il periodo di garanzia, a nostra discrezione ripareremo o sostituiremo il prodotto purché sia restituito franco destinatario. Sono esclusi dalla garanzia eventuali danni causati da abuso, maneggiamento improprio, installazione o manutenzione eseguiti da persone non autorizzate dal servizio di assistenza Bushnell.

A un prodotto restituito negli Stati Uniti o in Canada e coperto da questa garanzia occorre allegare quanto segue.

- 1) Assegno/ordine di pagamento per l'importo di 10 \$US per coprire i costi di spedizione.
- 2) Nome e indirizzo da utilizzare per la restituzione del prodotto.
- 3) Una spiegazione del difetto.
- 4) Scontrino.
- 5) Il prodotto deve essere imballato in una scatola robusta, per prevenire danni durante il trasporto, e va spedito franco destinatario a uno dei seguenti indirizzi.

### **Recapito negli Stati Uniti:**

Bushnell Outdoor Products  
Attn.: Repairs  
9200 Cody  
Overland Park, Kansas 66214

### **Recapito in Canada:**

Bushnell Outdoor Products  
Attn.: Repairs  
140 Great Gulf Drive, Unit B  
Vaughan, Ontario L4K 5W1

Per prodotti acquistati fuori degli Stati Uniti o del Canada, rivolgersi al rivenditore per le clausole pertinenti della garanzia. In Europa si può anche contattare la Bushnell a questo numero:

Bushnell Germany GmbH  
European Service Centre  
Mathias-Brüggen-Str. 80  
D-50827 Köln  
GERMANY  
Tel: +49 221 995568-0  
Fax: +49 221 995568-20

Questa garanzia dà specifici diritti legali.  
Eventuali altri diritti variano da una nazione all'altra.

©2014 Bushnell Outdoor Products







**Bushnell<sup>®</sup>**

**[www.bushnell.com](http://www.bushnell.com)**

©2014 Bushnell Outdoor Products